

AGGREGATES & CONSTRUCTION

Made of concrete; which is prepared with cement from higher quality standard, aggregates from limestone rocks, water and additives; thus obtaining the quality required by national and international standards, achieving a resistance greater than 70kg/cm² within the first 7 days after its manufacture.

**BLOCK
OF 8 “**

REFERENCE STANDARDS:

NON-STRUCTURAL BLOCKS: ASTM C129** AND NORDOM 461

STRUCTURAL BLOCKS: ASTM C90 AND NORDOM 461

PRODUCT USE:

ALL TYPES OF CONCRETE WORKS WHERE IT IS NECESSARY TO USE PRODUCTS LIGHTWEIGHT. EXAMPLE: HOUSES, BUILDINGS, PORTICOED STRUCTURES, FENCES AND INTERIOR DIVIDERS

SPECS

- Block with 2 cavities inside concrete.
- Resistance level after 7 days: 70kg/cm²
- Measurements: 15 5/8" long, 7 5/8" wide, 7 5/8" tall.
- Weight: 31 lbs
- Waterproofing percentage: 94.6%
- Units per cube, block of 8: 108 units and 162 units

Units per square meter: 2.5

ADVANTAGES OF OUR PRODUCT

Saving



**M o r e
Waterproof**



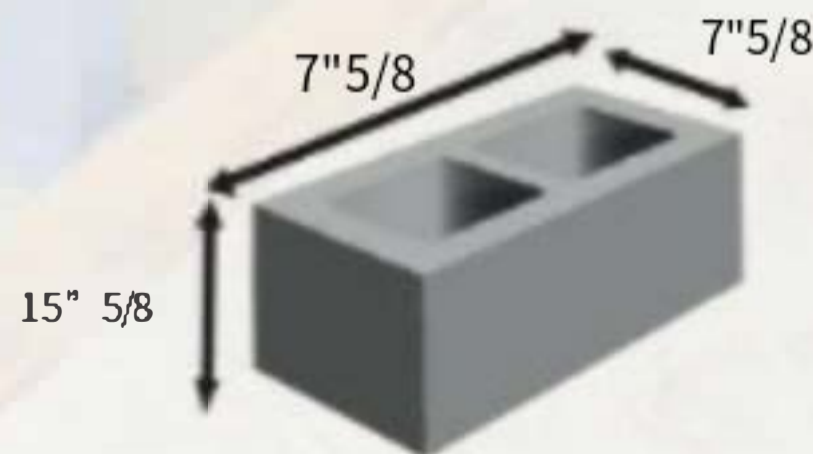
Easy Plaster



Symmetry



Delivery Guarantee



Made of concrete; which is prepared with cement from higher quality standard, aggregates from limestone rocks, water and additives; thus obtaining the quality required by national and international standards, achieving a resistance greater than 70kg/cm² within the first 7 days after its manufacture.

BLOCK 6/3 HOLES

REFERENCE STANDARDS:

NON-STRUCTURAL BLOCKS: ASTM C129** AND NORDOM 461
STRUCTURAL BLOCKS: ASTM C90 AND NORDOM 461

PRODUCT USE:

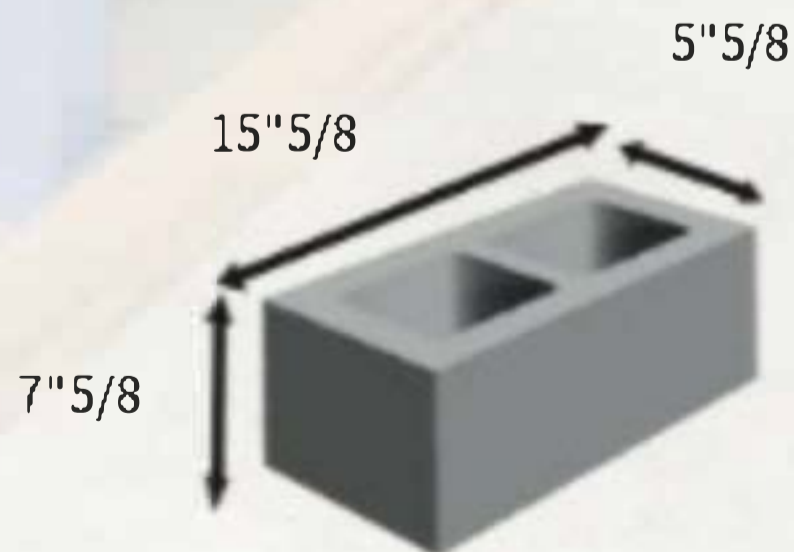
ALL TYPES OF CONCRETE WORKS WHERE IT IS NECESSARY TO USE PRODUCTS LIGHTWEIGHT, EXAMPLE: HOUSES, BUILDINGS, PORTICOED STRUCTURES, FENCES AND INTERIOR DIVIDERS

ADVANTAGES OF OUR PRODUCT

SPECS

- Block with 2 cavities inside concrete
- Resistance level after 7 days: 70kg/cm²
- Measurements: 15 5/8" long, 7 5/8" wide, 7 5/8" tall.
- Weight: 25 lbs
- Waterproofing percentage: 94.6%
- Units per cube, block of 6": 162 units.

Units per square meter: 2.5



Saving



But
Impermeable



Easy Plaster



Symmetry



Guarantee in
the Delivery



Made of concrete; which is prepared with cement of the highest quality standard, aggregates from limestone rocks, water and additives; thus obtaining the quality required by national and international standards, achieving a resistance greater than 70kg/cm² within the first 7 days after its manufacture.

**BLOCK
OF 5 "6**

REFERENCE STANDARDS:

NON-STRUCTURAL BLOCKS: ASTM C129** AND NORDOM 461
STRUCTURAL BLOCKS: ASTM C90 AND NORDOM 461

PRODUCT USE:

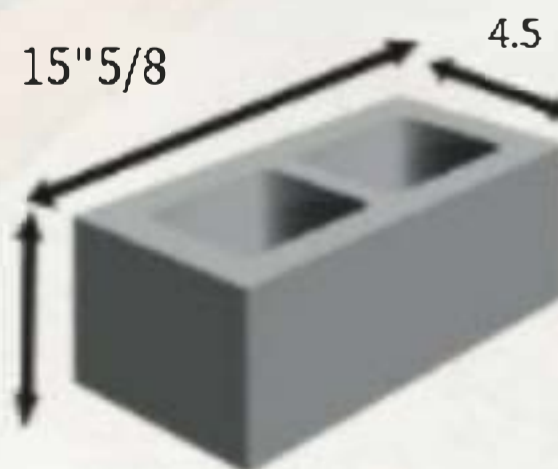
ALL TYPES OF CONCRETE WORKS WHERE IT IS NECESSARY TO USE PRODUCTS LIGHTWEIGHT, EXAMPLE: HOUSES, BUILDINGS, PORTICOED STRUCTURES, FENCES AND INTERIOR DIVIDERS

ADVANTAGES OF OUR PRODUCT

SPECS

- Block with 2 cavities inside made of concrete.
- Resistance level after 7 days: 9.97 Kg/cm²
- Measurements: 7-5/8 long, 4.5 wide, 7 5/8 high.
- Weight: 22 lbs
- Waterproofing percentage: 94.6%
- Units per cube, block of 5": 150 units.

Units per square meter: 2.5



Saving



But Impermeable



Easy Plaster



Symmetry



Delivery Guarantee



BLOCK

Made of concrete; which is prepared with cement of the highest quality standard, aggregates from limestone rocks, water and additives; thus obtaining **6/2 HOLES** the quality required by national and international standards, achieving a resistance greater than 70kg/cm² within the first 7 days after its manufacture.

REFERENCE STANDARDS:

NON-STRUCTURAL BLOCKS: ASTM C129 AND NORDOM 461 STRUCTURAL BLOCKS: ASTM C90 AND NORDOM 461

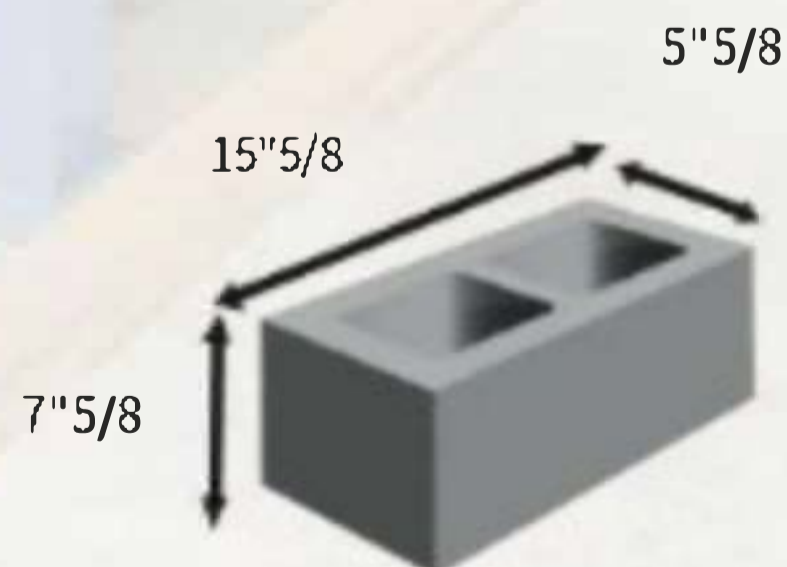
PRODUCT USE:

ALL TYPES OF CONCRETE WORKS WHERE IT IS NECESSARY TO USE LIGHTWEIGHT PRODUCTS, FOR EXAMPLE: HOUSES, BUILDINGS, FRAME STRUCTURES, FENCES AND INTERIOR DIVIDERS

SPECS

- Block with 2 cavities inside made of concrete.
- 7-day resistance level: 70kg/cm² • Dimensions: 15 5/8" long, 7 5/8" wide 7 5/8" tall.
- Weight: 25 lbs
- Waterproofing percentage: 94.6%
- Units per cube, block of 6": 162 units.

Units per square meter: 2.5



ADVANTAGES OF OUR PRODUCT

Saving



But Impermeable



Easy Plaster



Symmetry



Delivery Guarantee

